

SUPPLIER: GMBH
REFERENCE: TC001
LINE: unisex

GARMENT: contrast color jacket
SEASON: A/W 19/20
DATE: 5/02/19



elene barandiaran
elene2lzk@gmail.com

FRONT

BACK



SODALITE
708



SODALITE
708



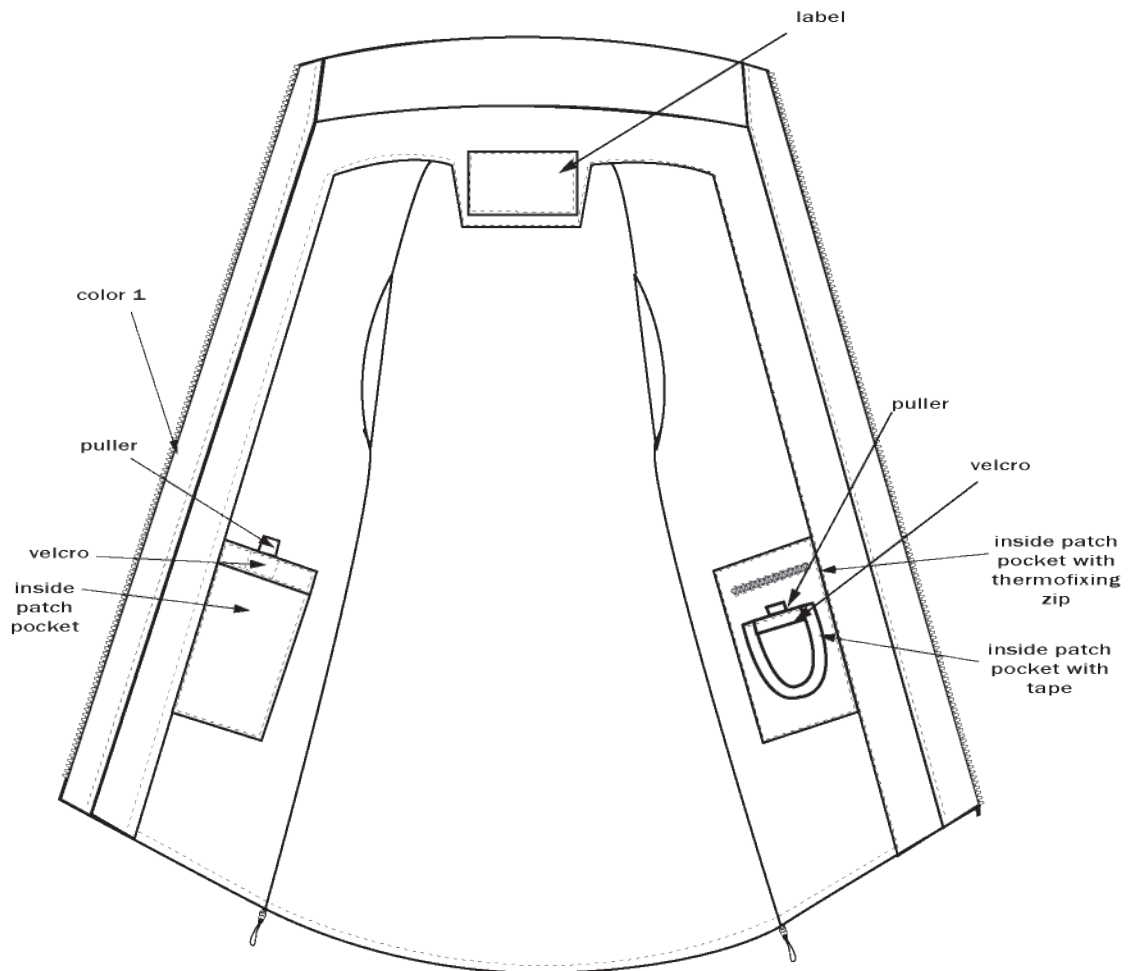
SOFT SEAFOAM
055

SUPPLIER: GMBH
REFERENCE: TCO01
LINE: unisex

GARMENT: contrast color jacket
SEASON: A/W 19/20
DATE: 5/02/19



elene barandiaran
elene2lzk@gmail.com



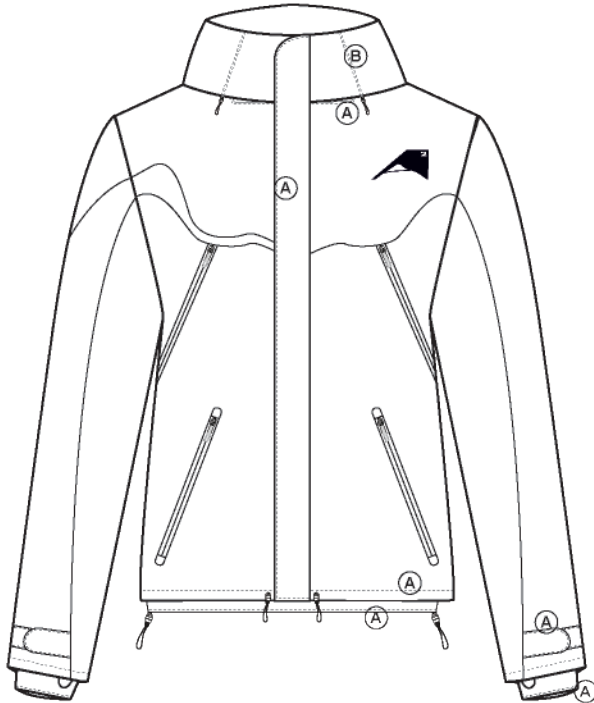


SUPPLIER: GMBH
REFERENCE: TCO01
LINE: unisex

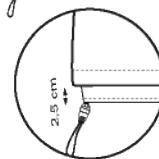
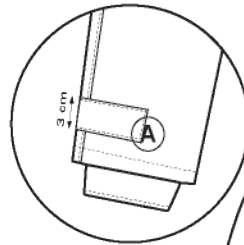
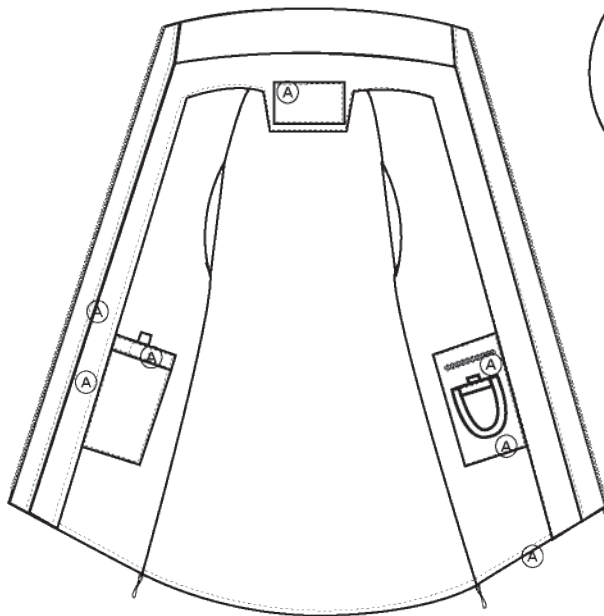
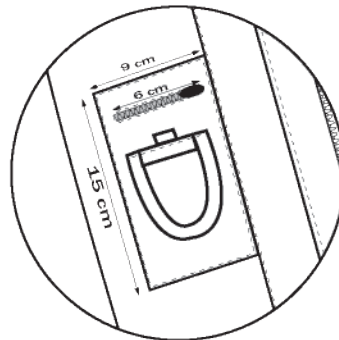
GARMENT: contrast color jacket
SEASON: A/W 19/20
DATE: 5/02/19

elene barandiaran
elene21zk@gmail.com

FRONT



BACK



(A) _____
SINGLE NEEDLE
STITCHING

(B) _____
DOUBLE NEEDLE
STITCHING

(C) _____
TRIPLE NEEDLE
STITCHING

(D) _____
SUPERIMPOSED
SEAM

(E) _____
FLAT LOCK
STITCHING

(F) _____
ZIG ZAG
STITCHING

SUPPLIER: GMBH
 REFERENCE: TC001
 LINE: unisex

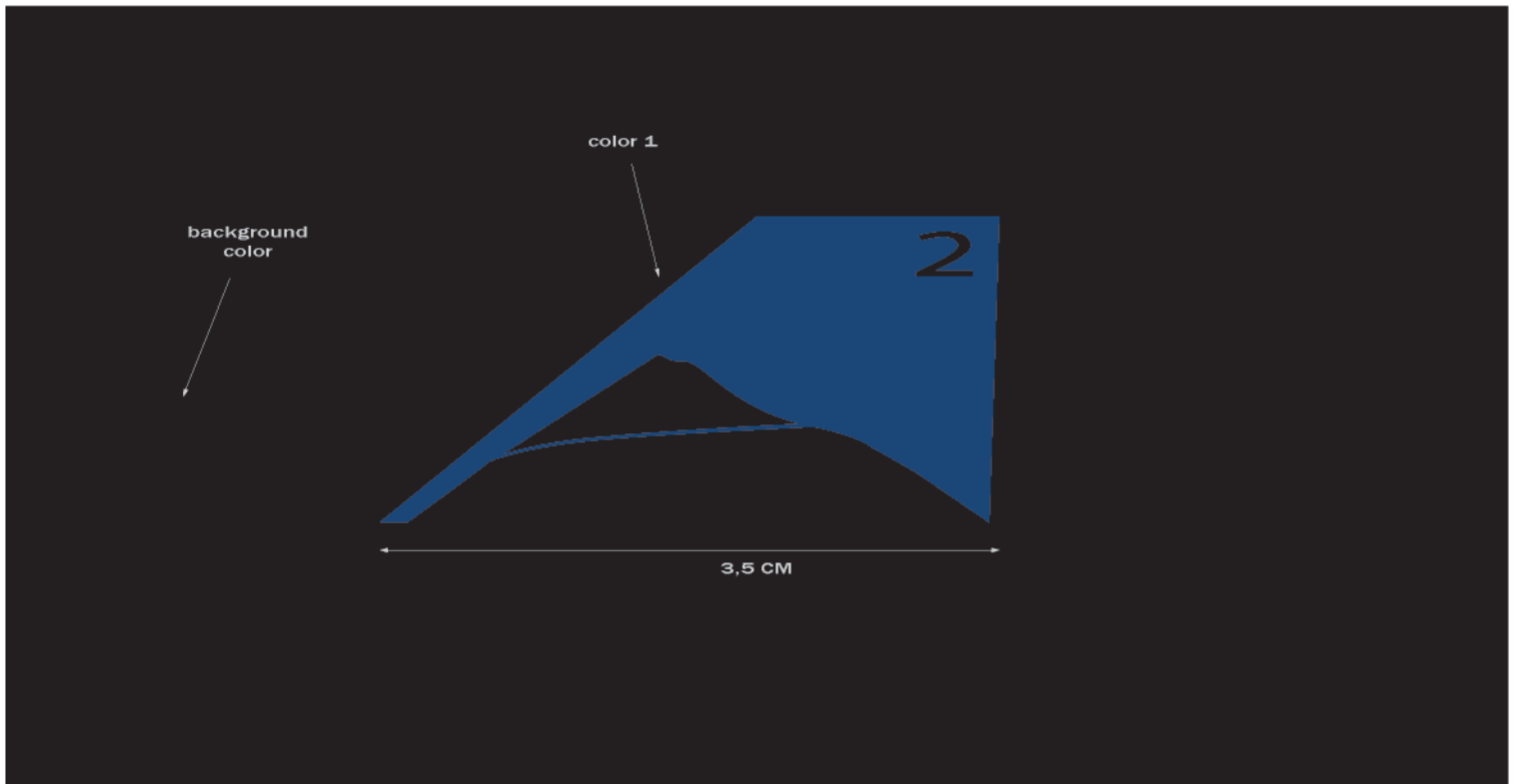
GARMENT: contrast color jacket
 SEASON: A/W 19/20
 DATE: 5/02/19



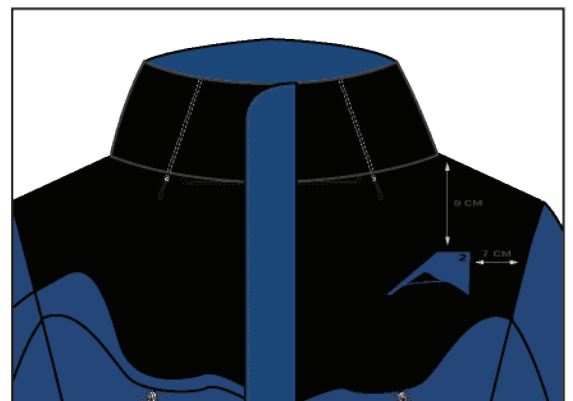
elene barandiaran
 elene2lzk@gmail.com

ARTWORK: embroidery

SIZE: 3,5 x 2,7 CM **IT'S REAL SIZE**



CODE	708	708	055
BACKGROUND	SODALITE 19-3864 TCX	SODALITE 19-3864 TCX	SOFT SEAFOAM 13-6107 TCX
COLOR 1	BLACK 19-4005 TCX	SOFT SEAFOAM 13-6107 TCX	BLACK 19-4005 TCX



PLACEMENT: front right side top
 7 cm from armhole
 9 cm from shoulder

SUPPLIER: GMBH
REFERENCE: TCO01
LINE: unisex

GARMENT: contrast color jacket
SEASON: A/W 19/20
DATE: 5/02/19



elene barandiaran
elene2lzk@gmail.com

PROTO SAMPLE COLOR: sodalite 19-3864 TCX

SALES SAMPLE COLOR: sodalite 19-3864 TCX

SAMPLE SIZE: M

SIZES: S - M - L - XL

FABRIC: microfibre - 120 gr/m2

COMPOSITION: 100% PES

FINISHES: cire finished

COLOR WAYS CODE

CODE	COLOR 1	COLOR 2	COLOR 3
708	SODALITE 19-3864 TCX	BLACK 19-4005 TCX	
708	SODALITE 19-3864 TCX	SOFT SEAFOAM 13-6107 TCX	
089	SOFT SEAFOAM 13-6107 TCX	BLACK 19-4005 TCX	