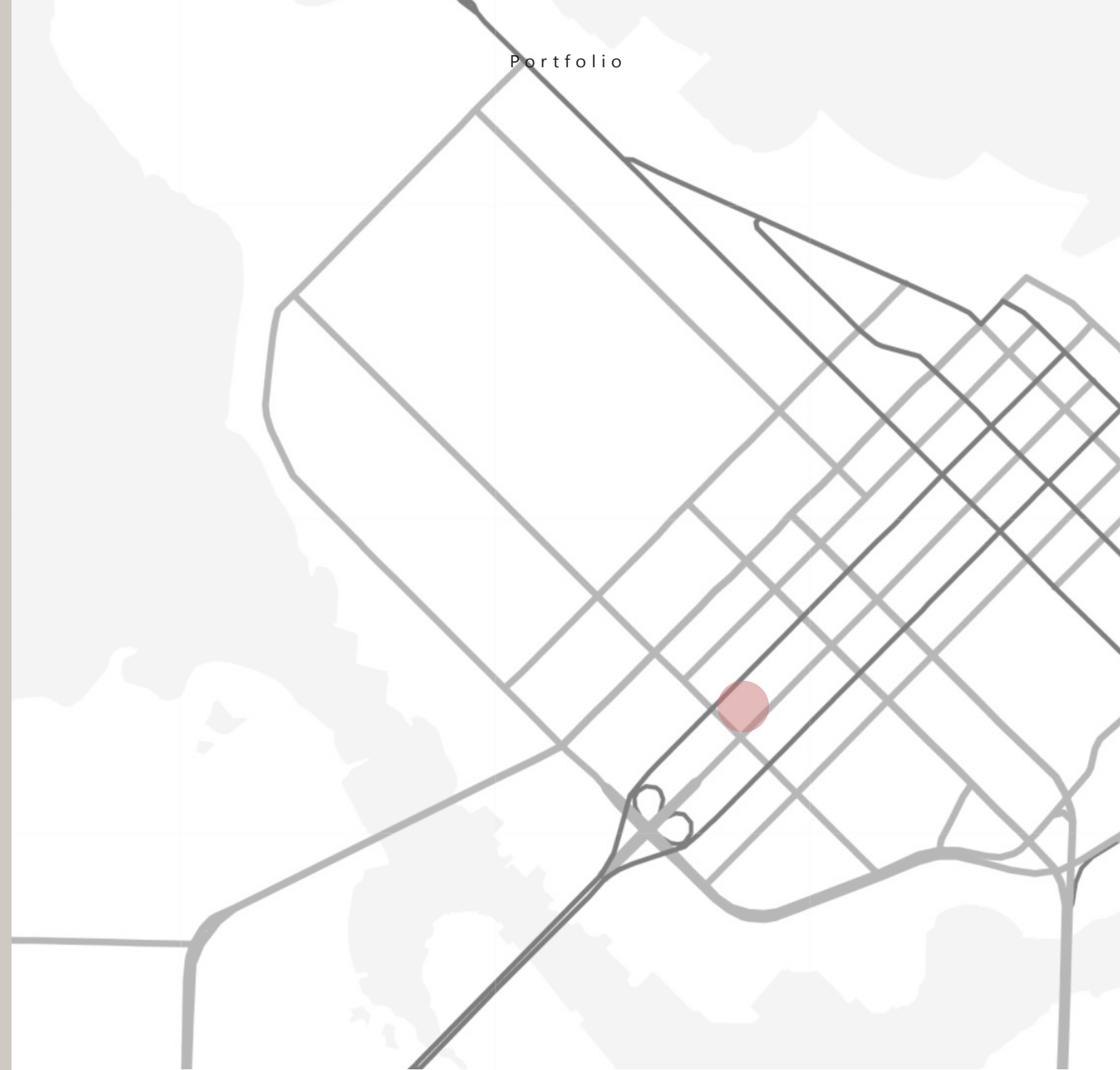


02

Art Culture Center



1280 Burrard st, Vancouver

Inspiration

Concept



DARO



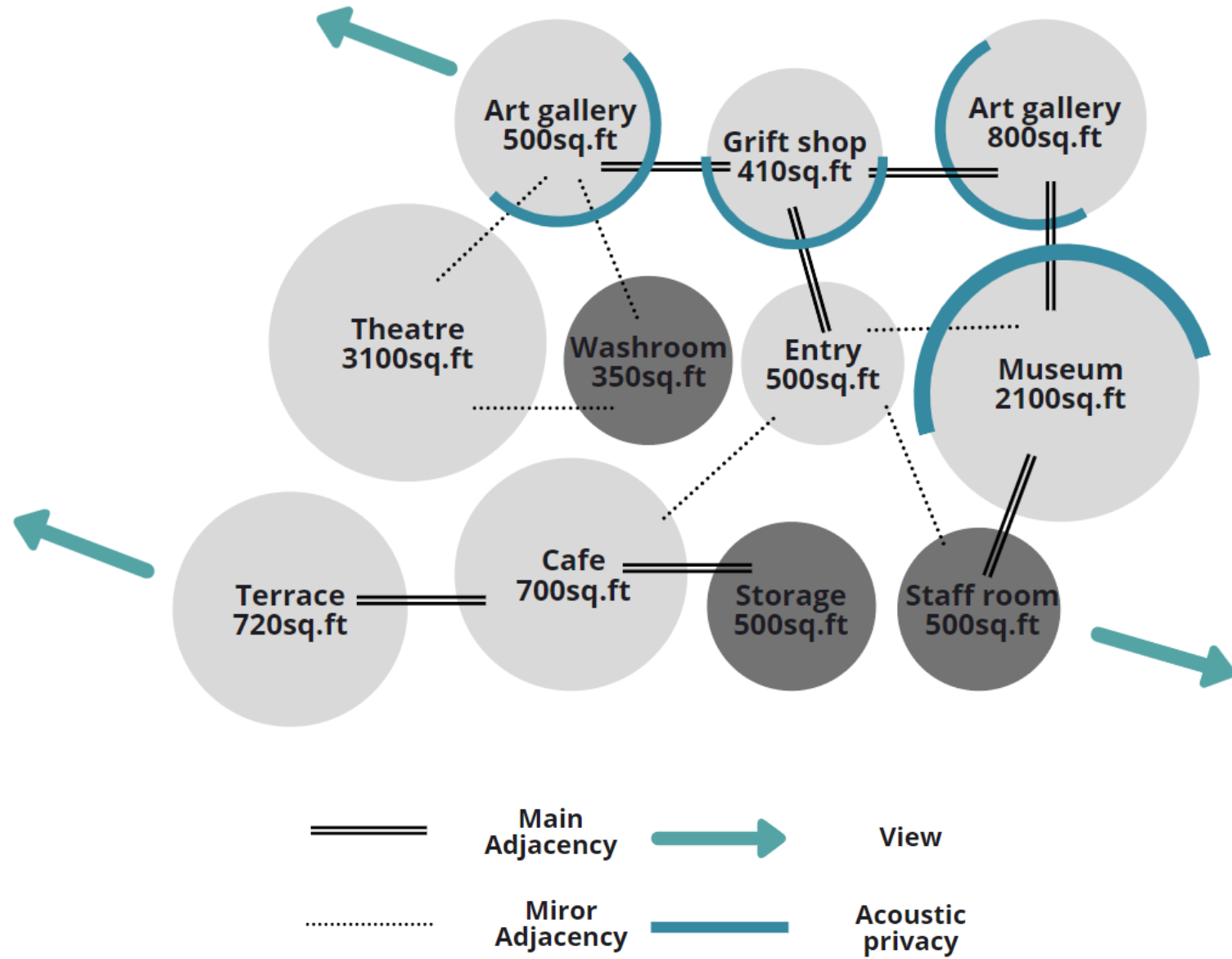
Snarkitecture



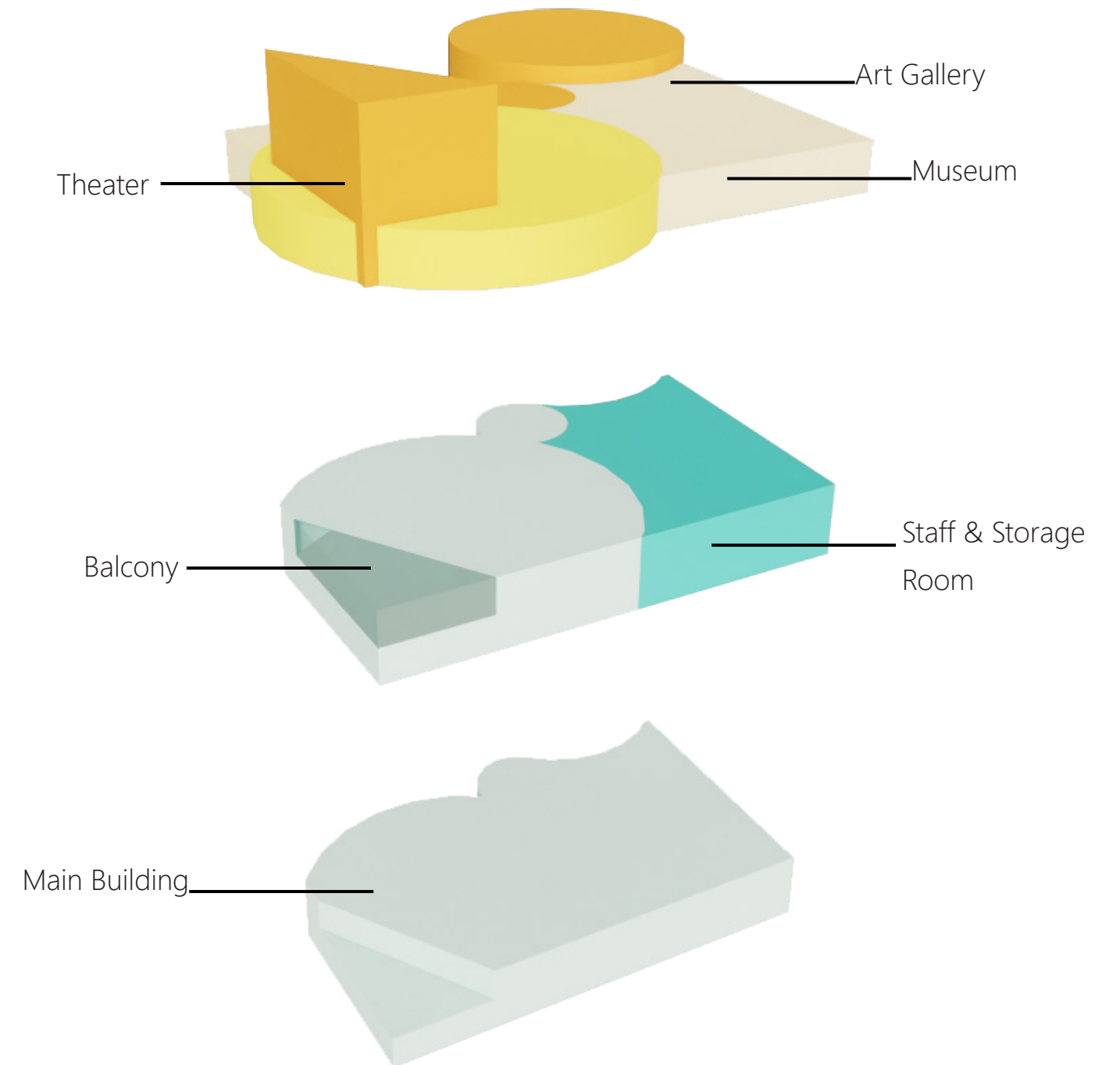
Woodland Nursery Animals Decor Black White

The inspiration for the project came from the ripples left by the boat passing over the water. The whole space will create a bright and quiet atmosphere.

Bubble Diagram



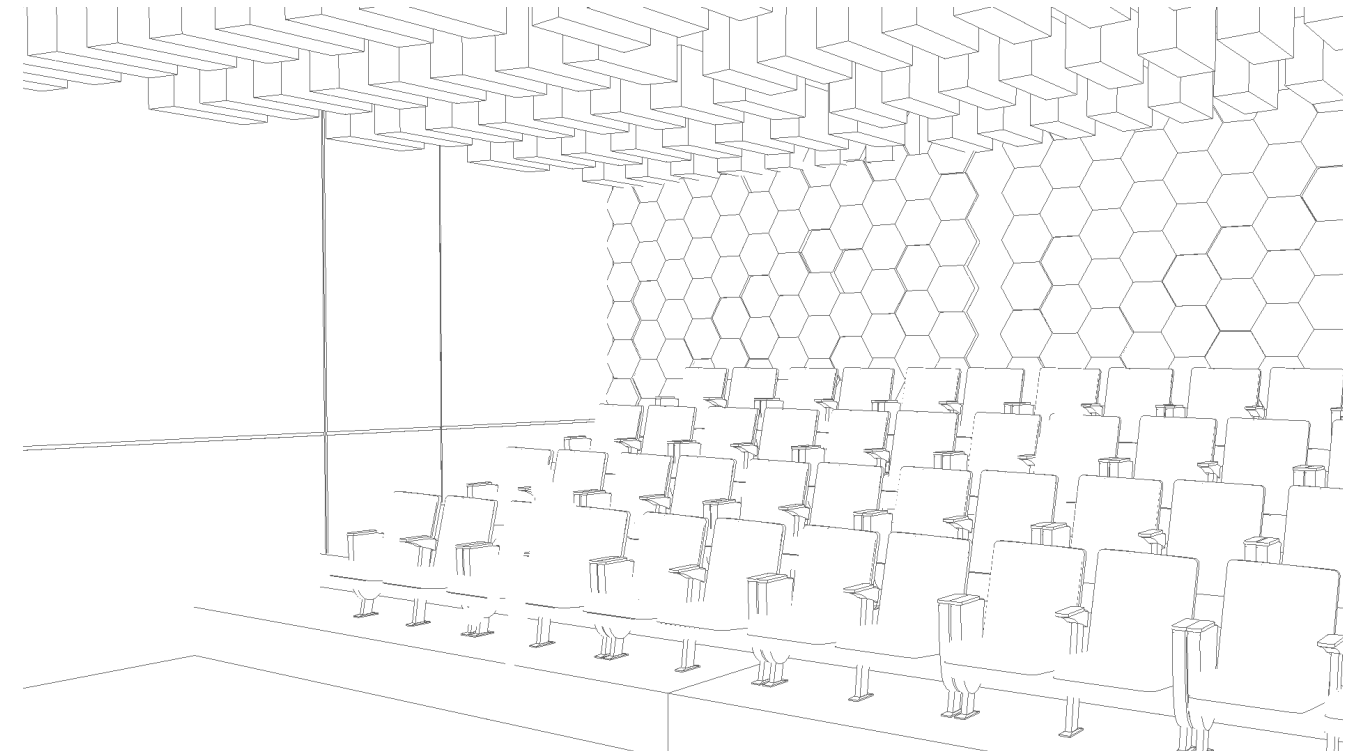
Geometric Approach



Sketches

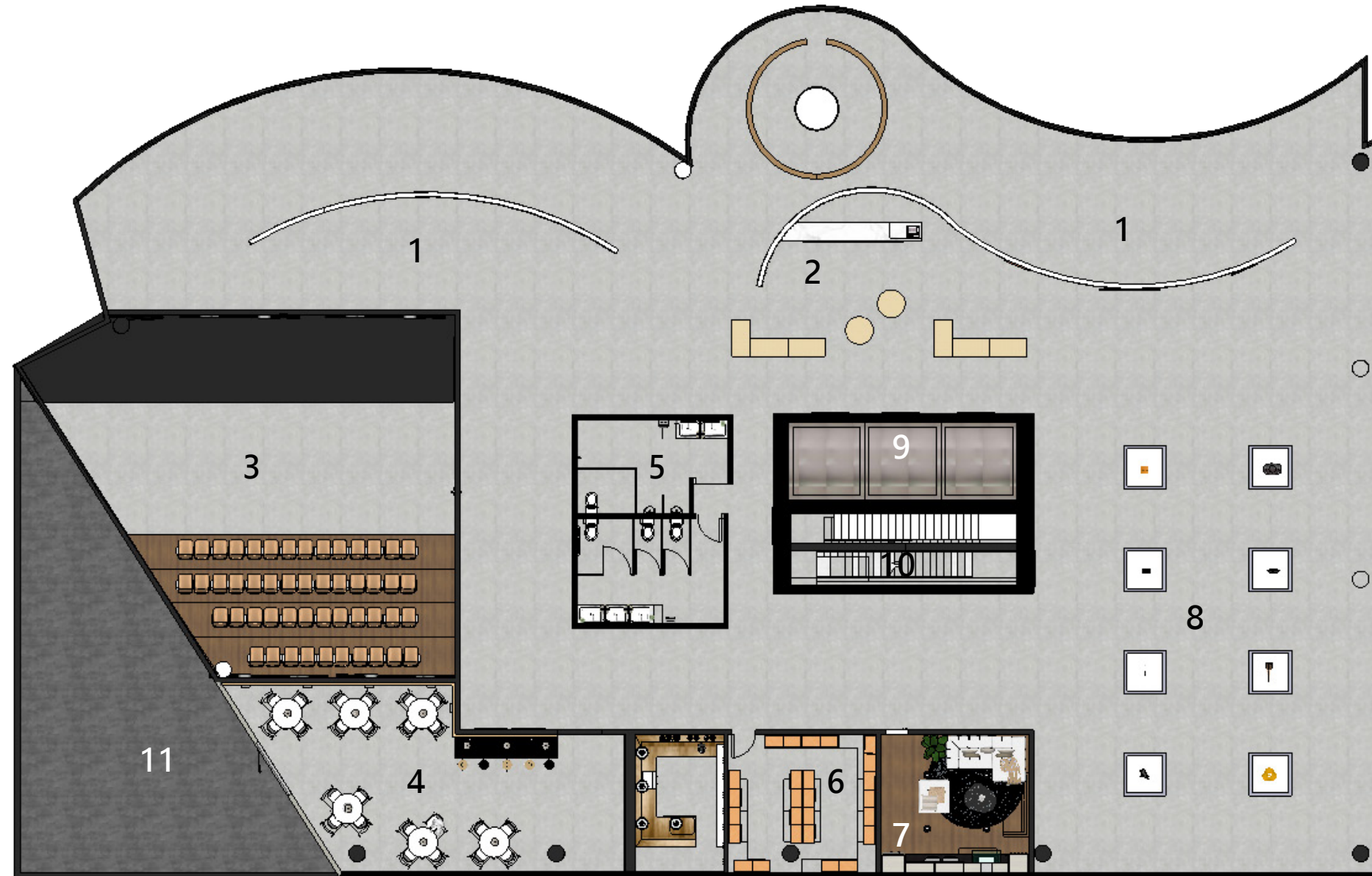


Coffee shop



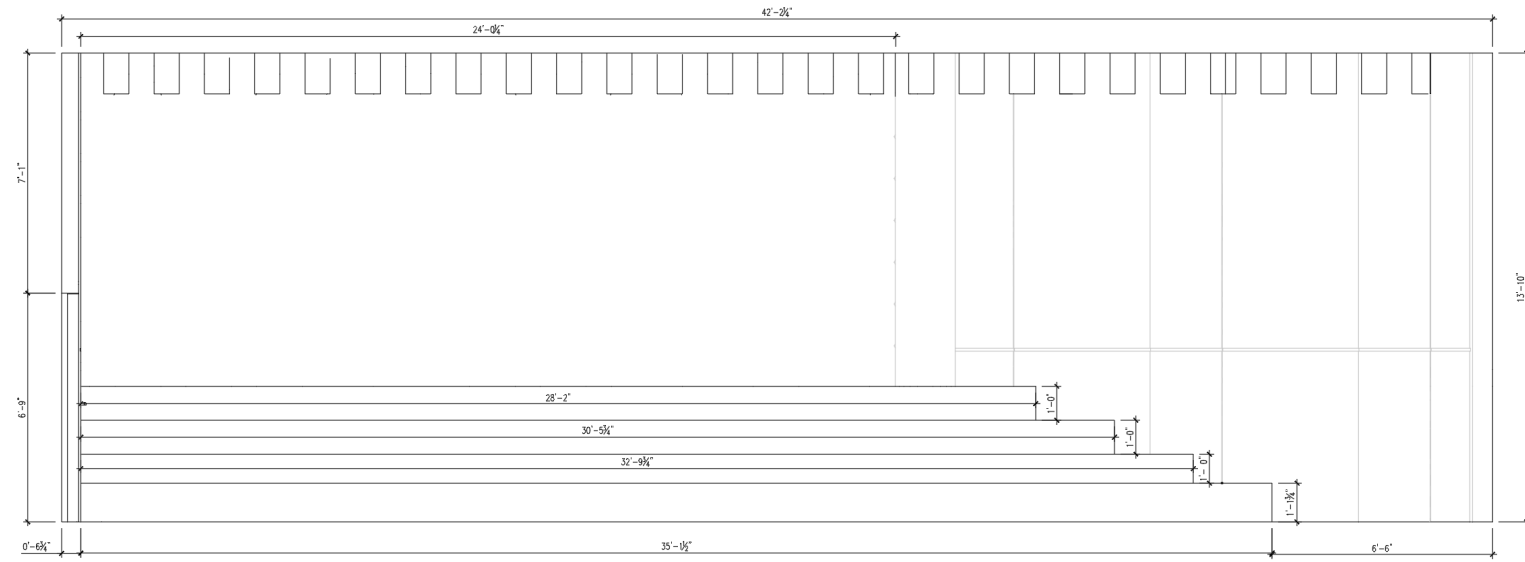
Theater

Floor Plan

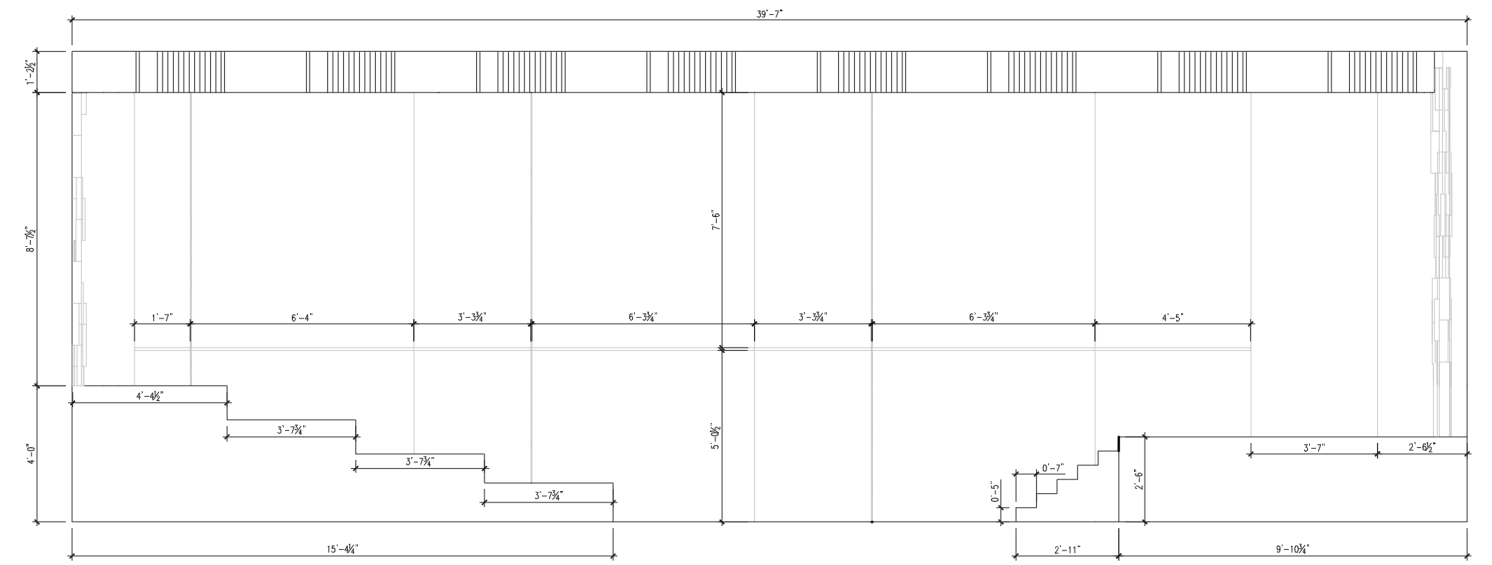


- 1. Art Gallery
- 2. Gift Shop
- 3. Theater
- 4. Coffee Shop
- 5. Washroom
- 6. Storage
- 7. Staff Room
- 8. Museum
- 9. Elevator
- 10. Stair
- 11. Balcony

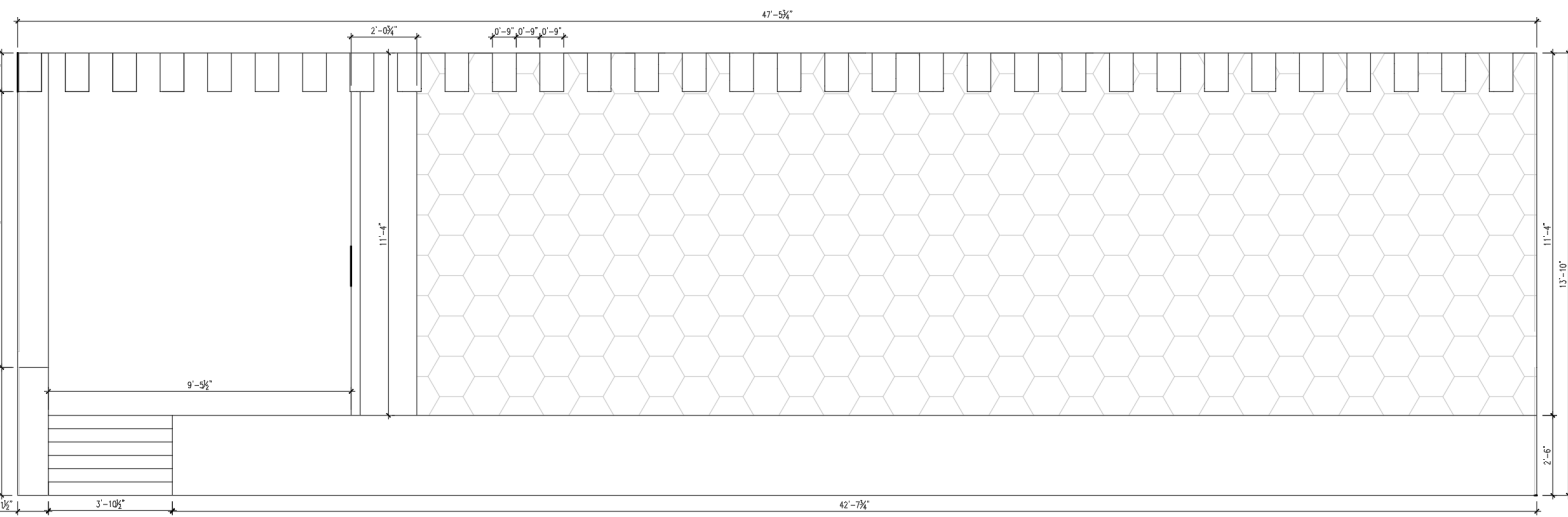
Elevations



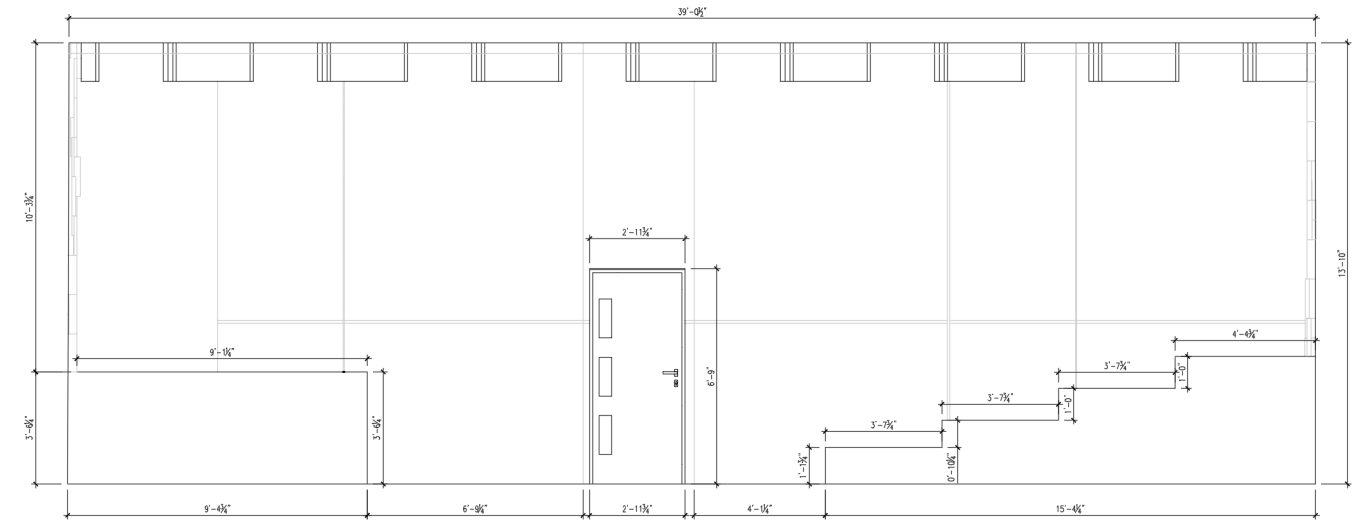
Theater



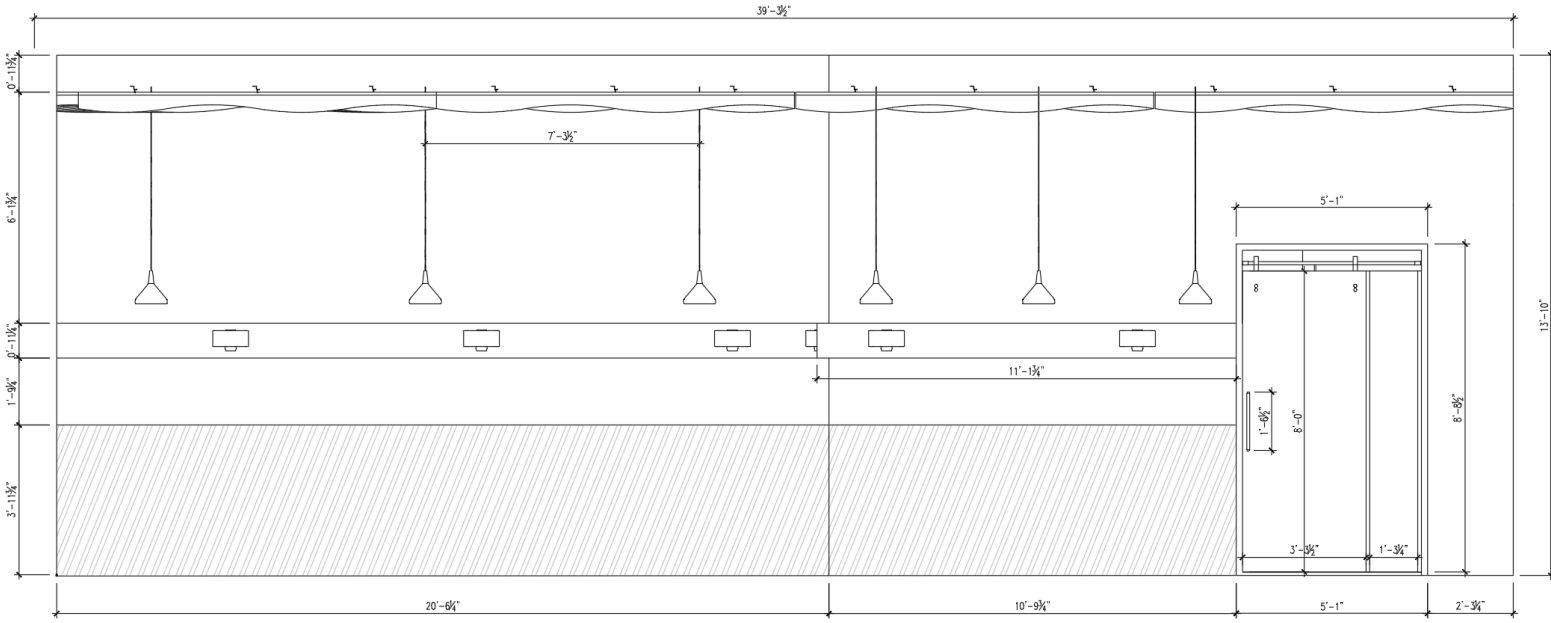
Theater



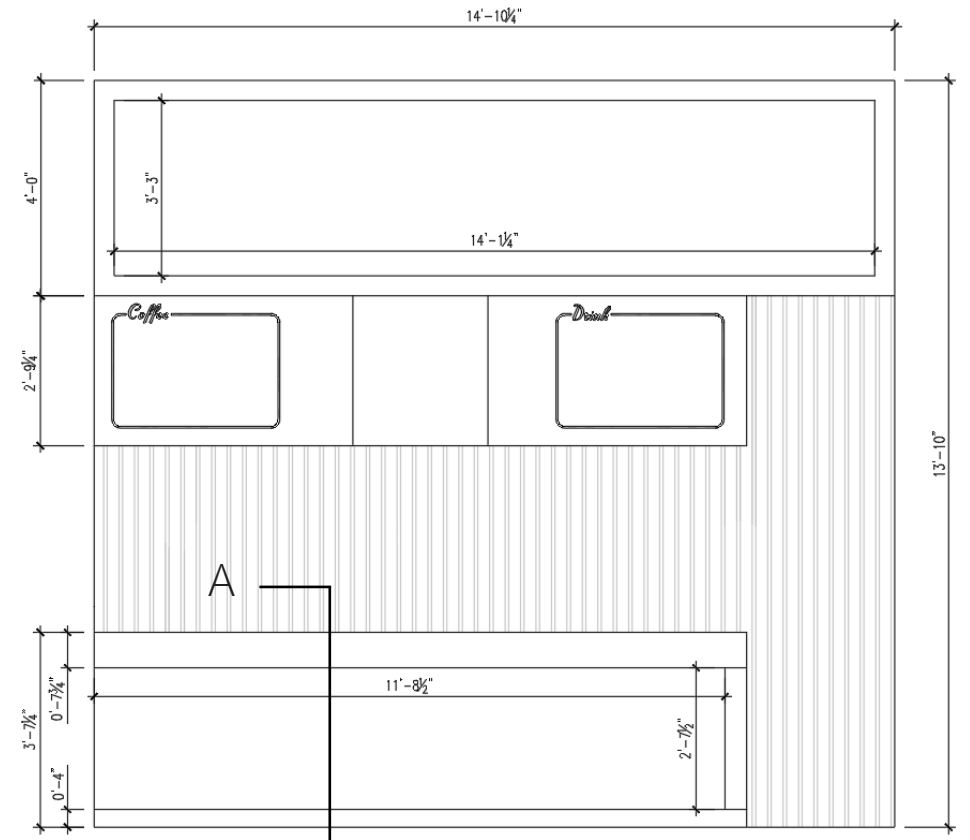
Theater



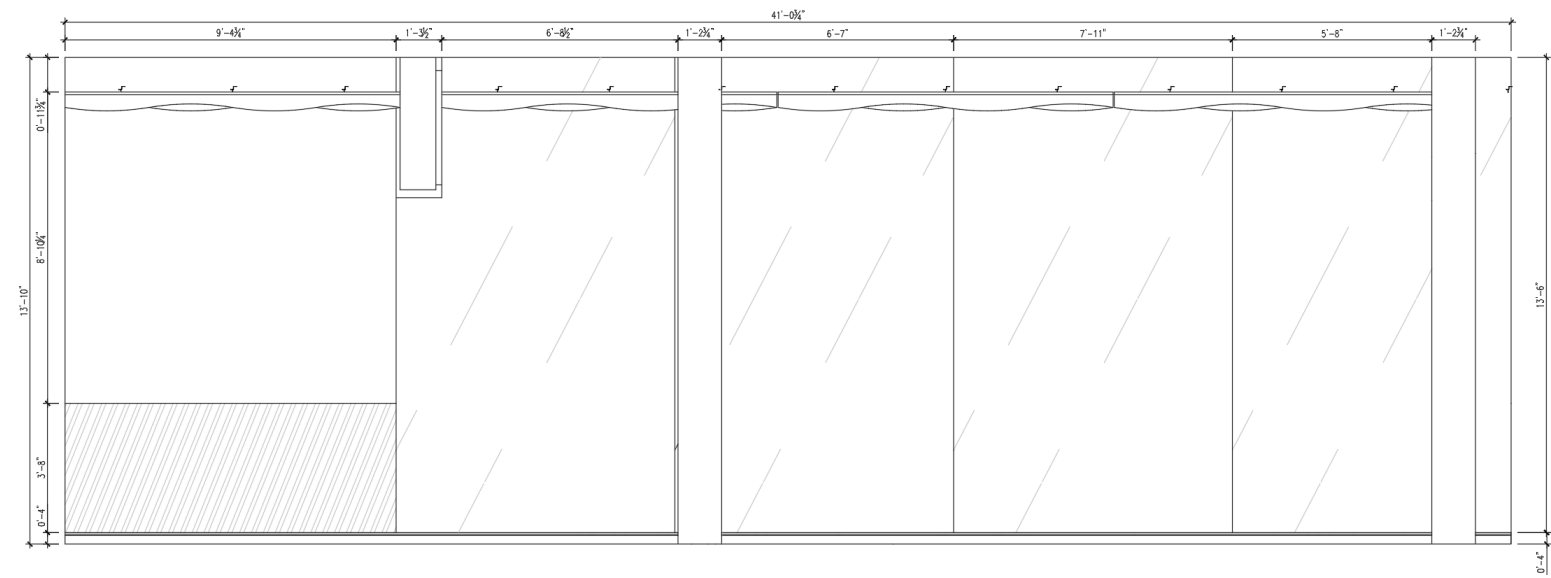
Theater



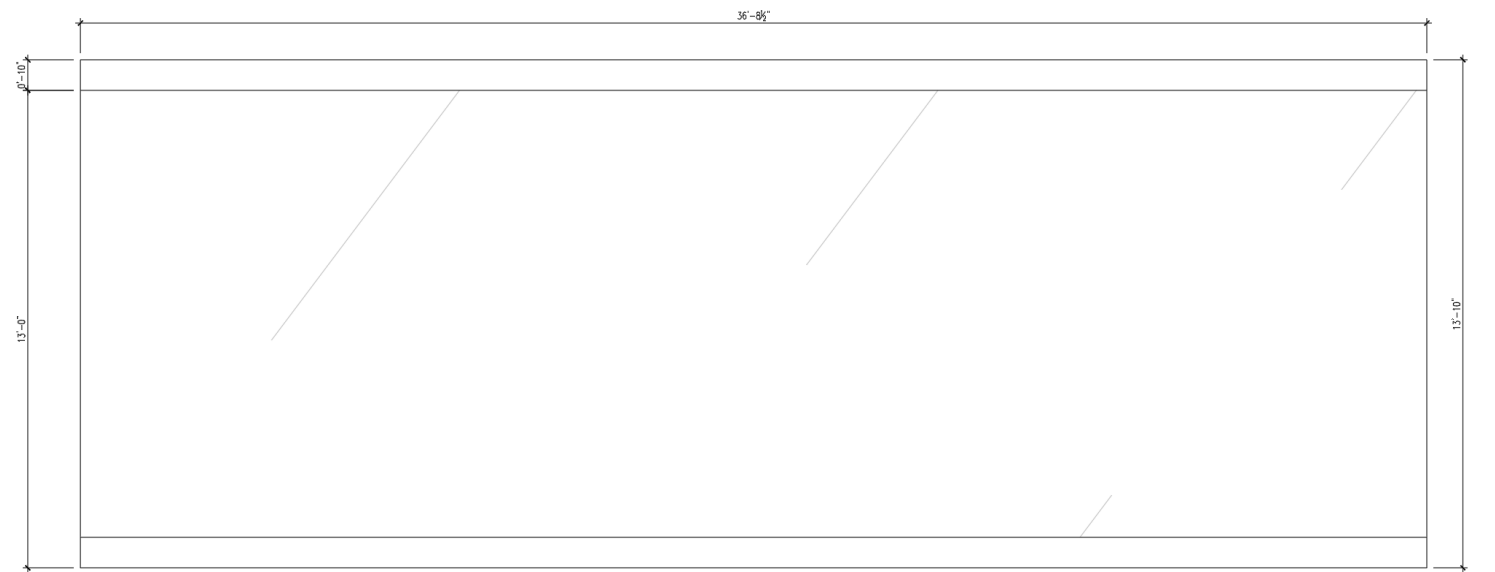
Coffee Shop



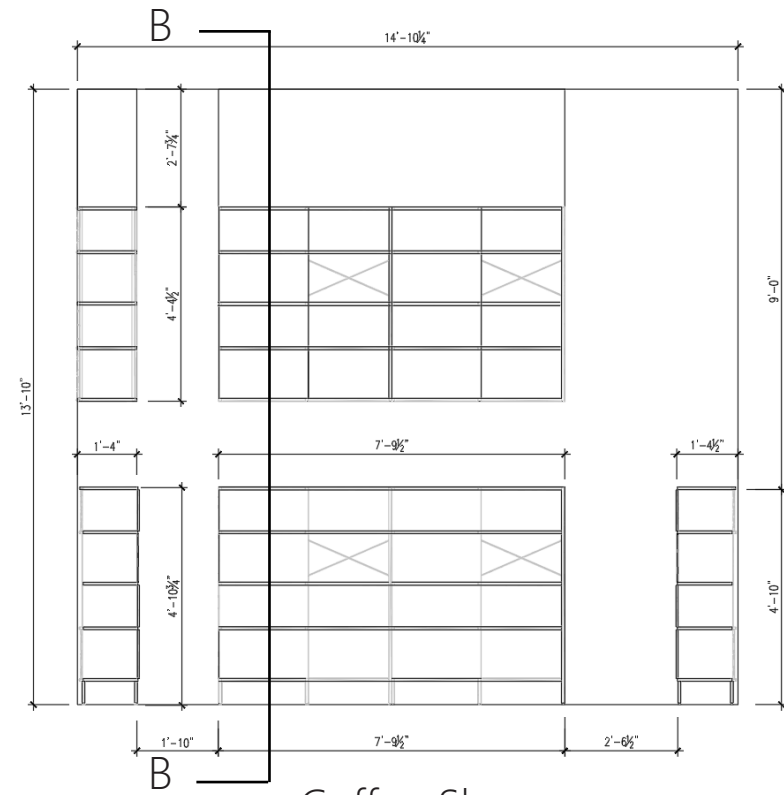
Coffee Shop



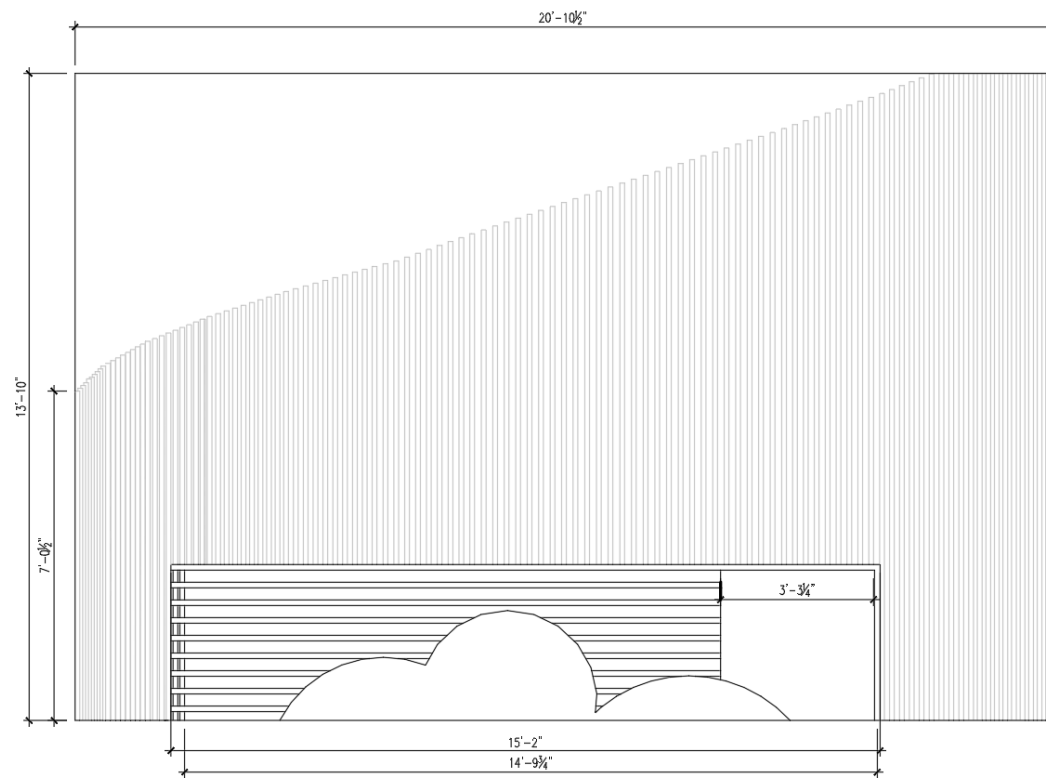
Coffee Shop



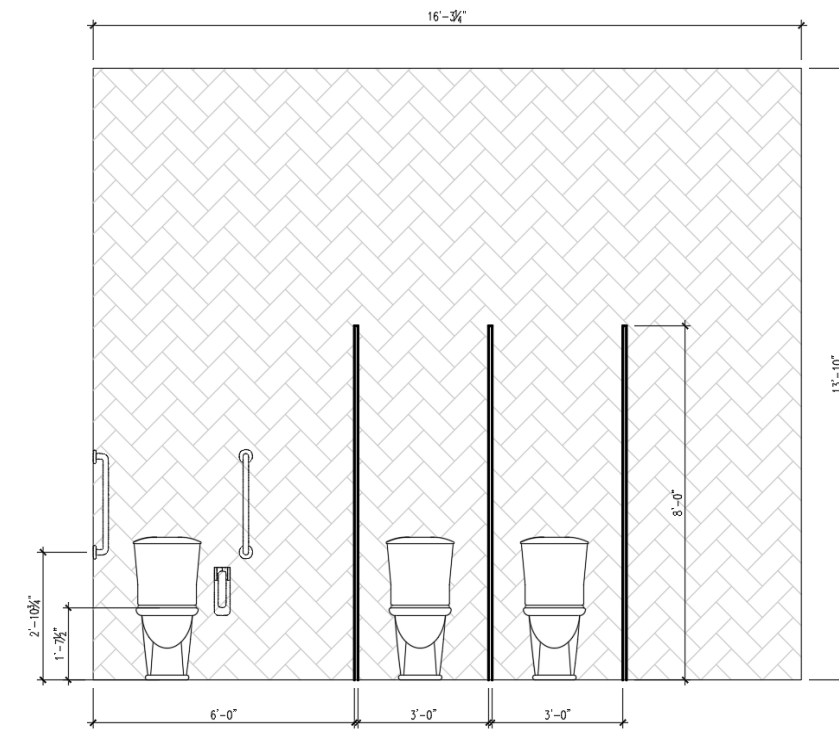
Coffee Shop



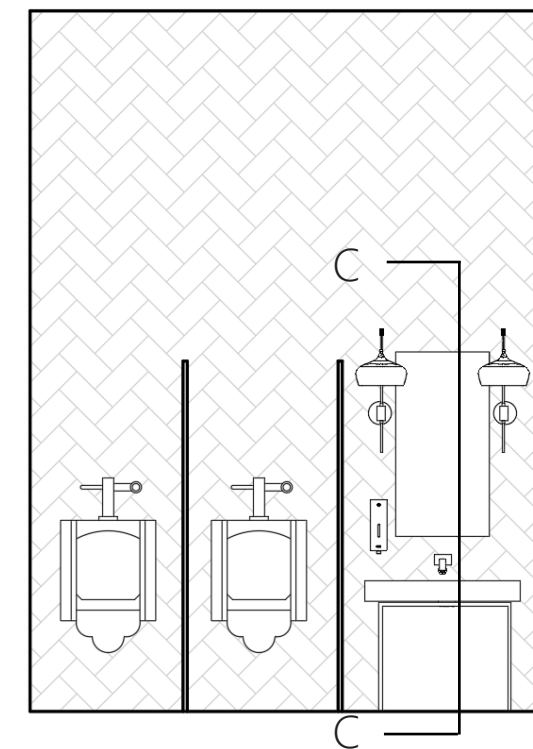
Coffee Shop



Gift Shop

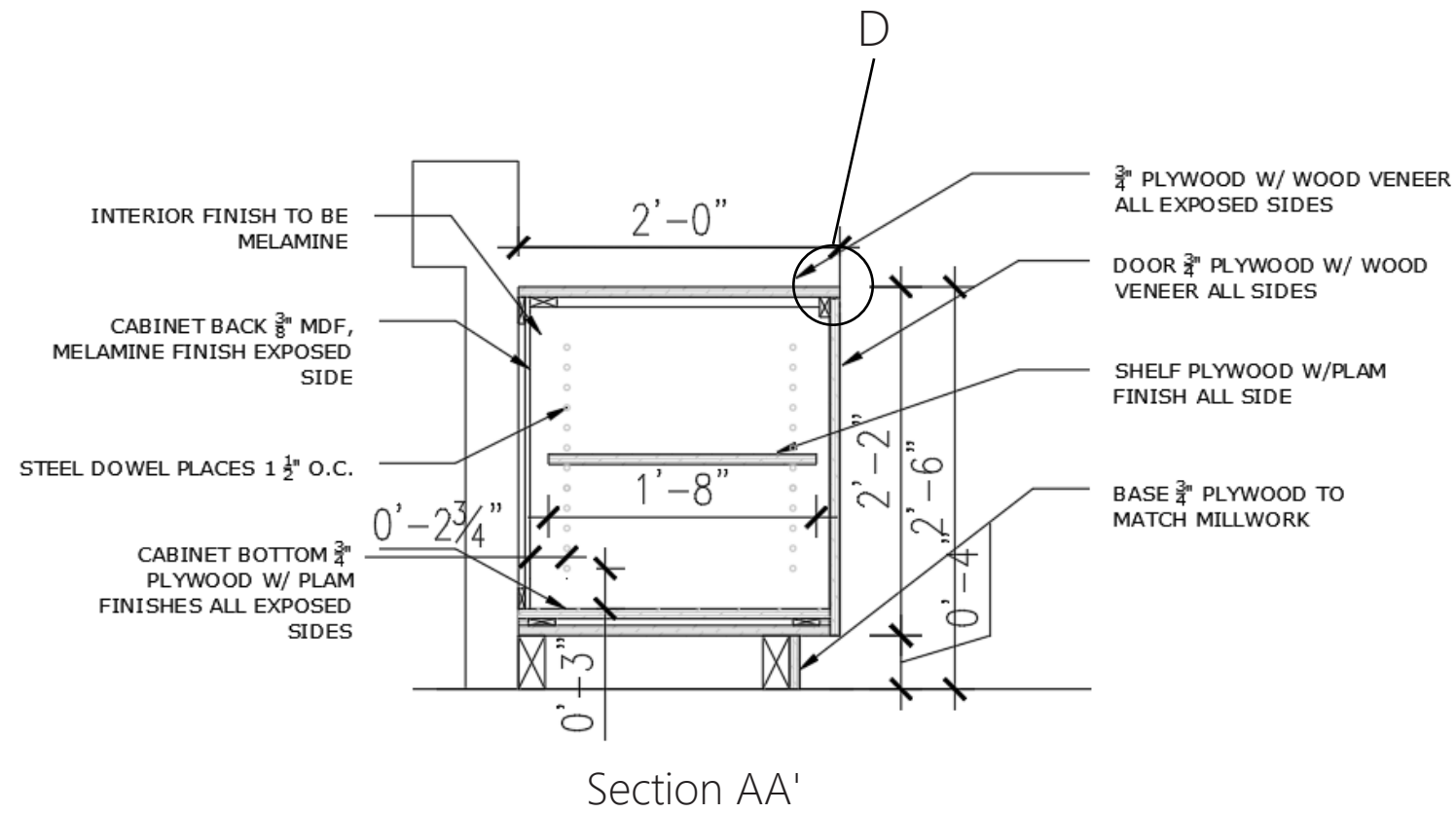


Female Washroom

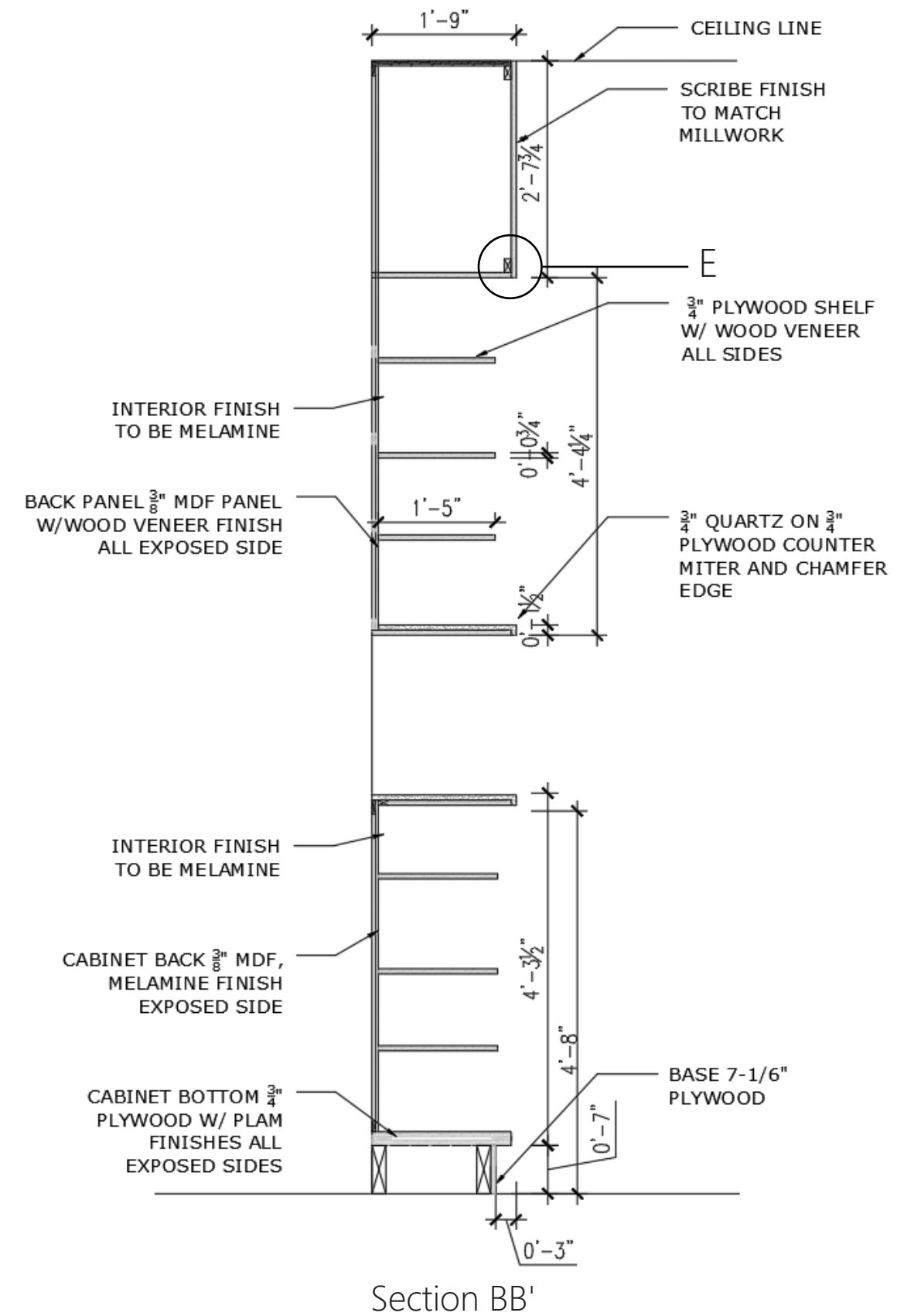


Male Washroom

Sections

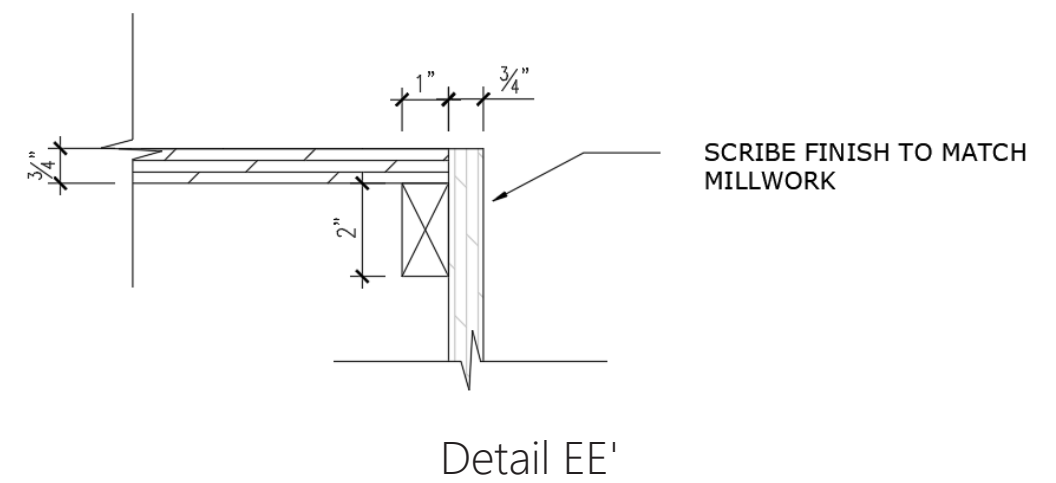
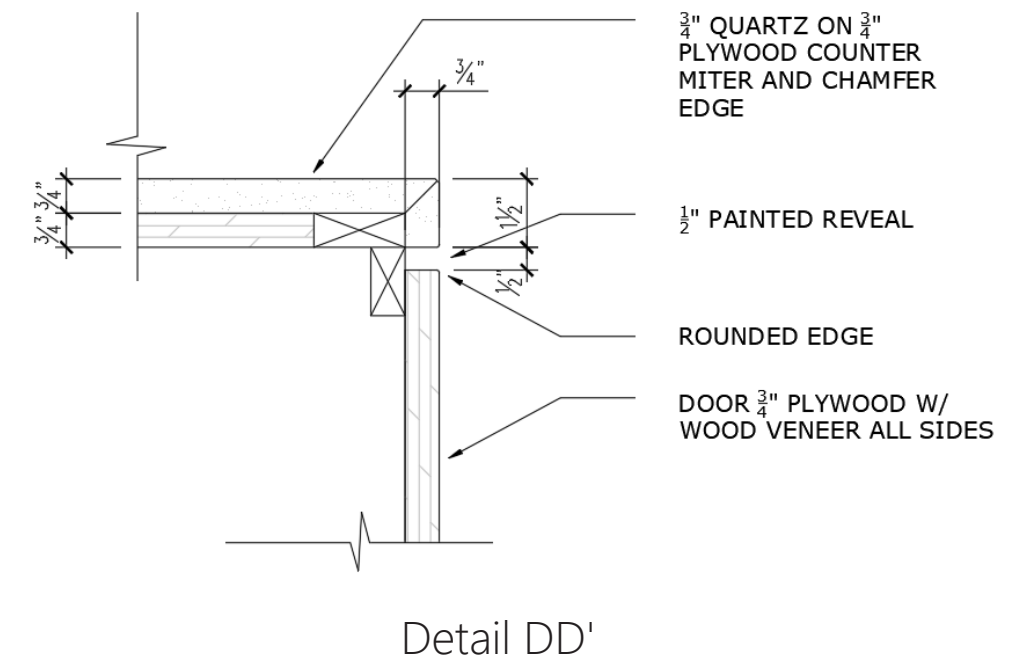
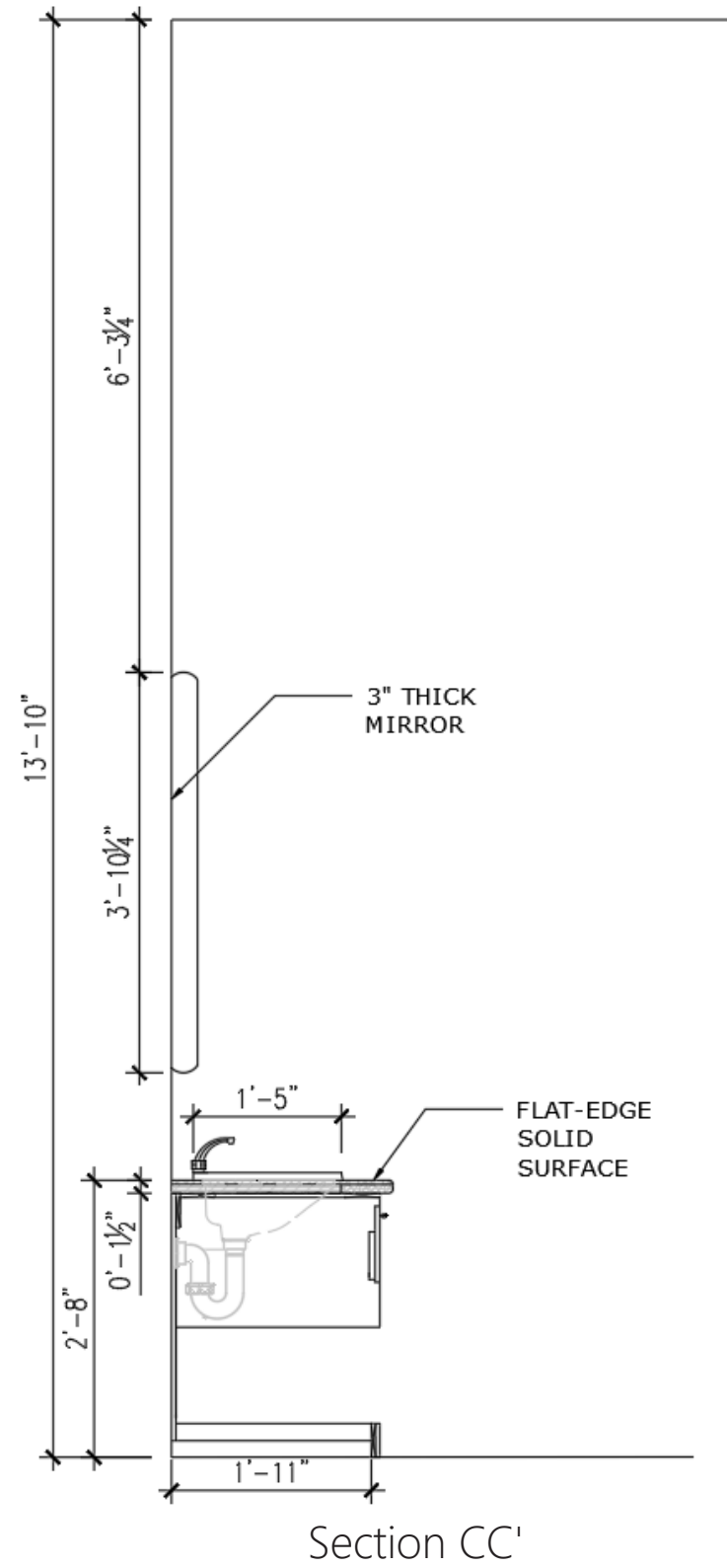


Section AA'



Section BB'

Details



Renderings

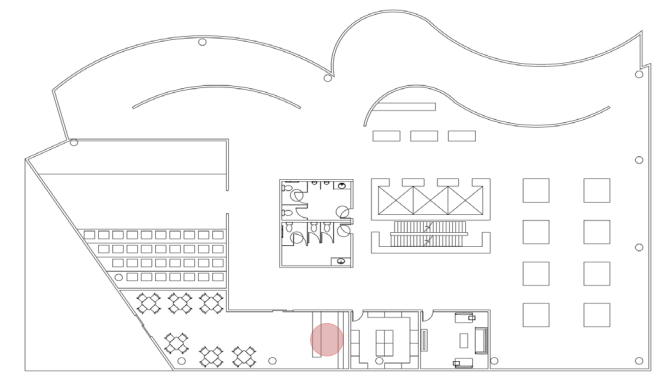


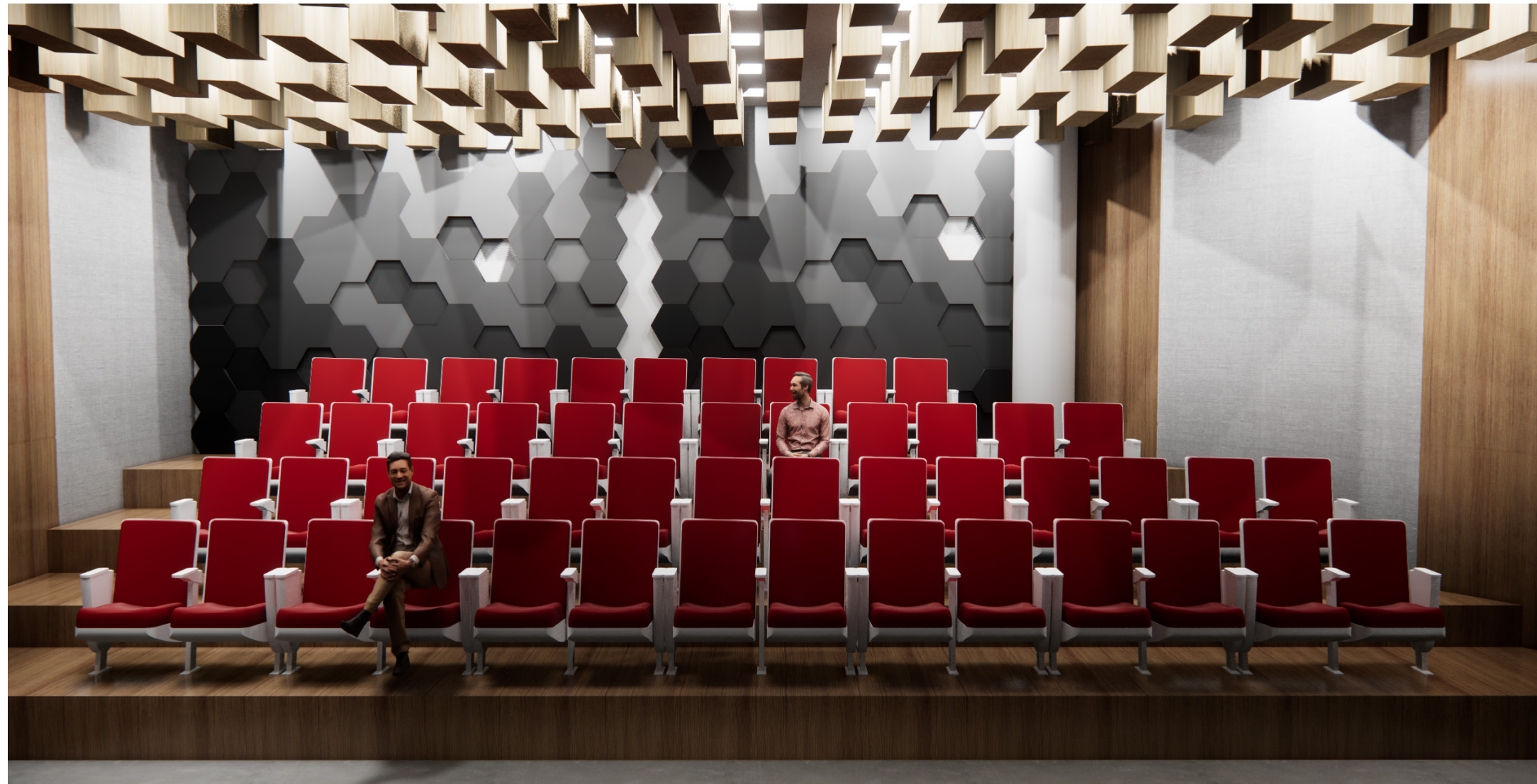
Coffee Shop



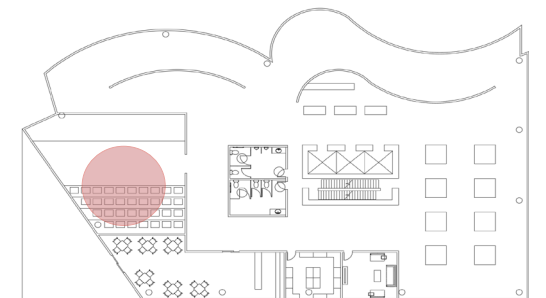


Coffee Shop



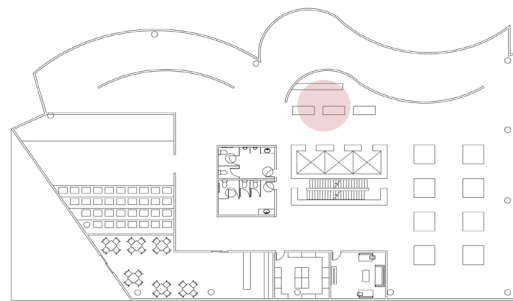


Theater





Gift Shop & Art Gallery



Museum

